

FIXED/REMOVABLE BOLLARD RB343-65

Designed
according to



RELIABLE, PRACTICAL AND COST-EFFECTIVE SOLUTION TO
PROVIDE 100% SECURITY OF YOUR TERRITORY

High security fixed/removable bollards are designed to prevent an unauthorized access of vehicles to secured perimeter and provide the highest level of anti-terror protection.

That is reliable, durable, functional bollard to resist the impact. All of these factors put together, make this bollard a universal and effective vehicle access control solution.

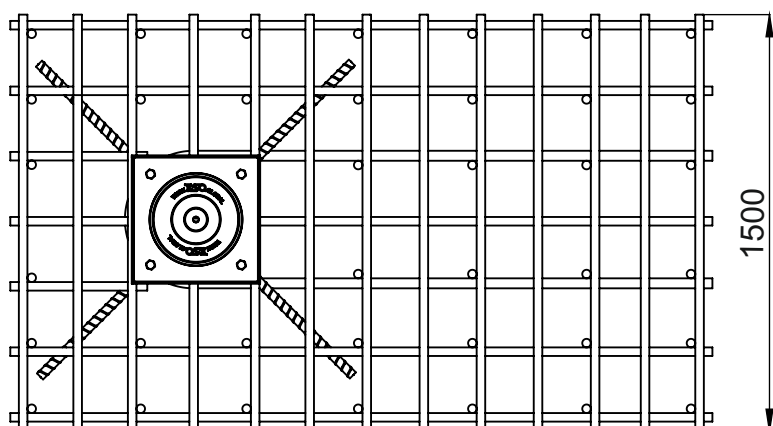
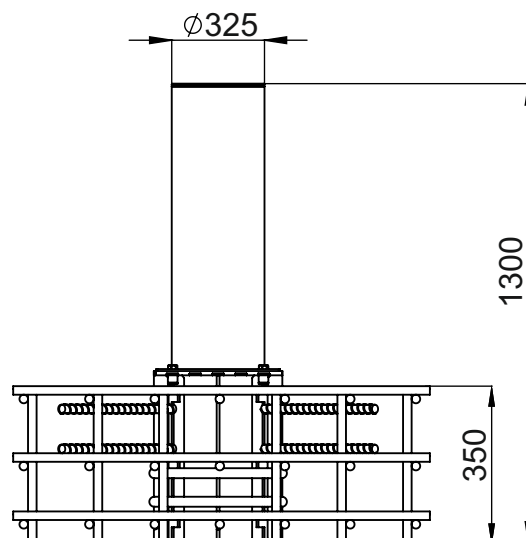
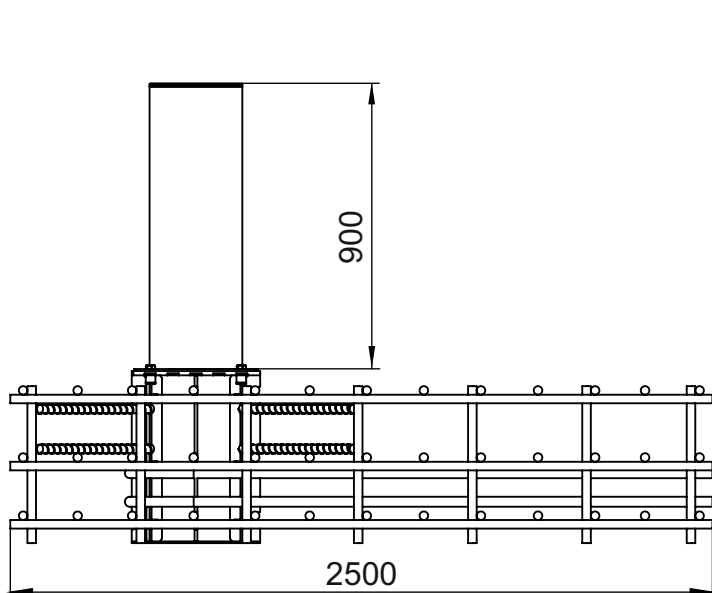
Installation areas

- Governmental Institutions
- Military Bases
- Nuclear Power Plants
- Production sites (Industrial Plants)
- Commercial areas
- Financial institutions
- Airport Premises
- Business (Office) Center
- Hotels
- Sport Complexes
- Recreation areas
- Urban areas
- Education Institutions



www.tiso.global
+380 (44) 291-21-11
e-mail: sales@tiso.global





TECHNICAL SPECS:

Model	RB343-65	RB343-65-F
Installation type	Removable	Fixed
Diameter, mm	325	
Height, mm	900	
Wall thickness, mm	20	
Installation depth (with foundation case), mm	400	
Dimensions of underground structure, mm	2460x1460x350	
Materials	Galvanized and powder coated tube (any RAL up on request) Stainless steel sleeve / casing up on request	